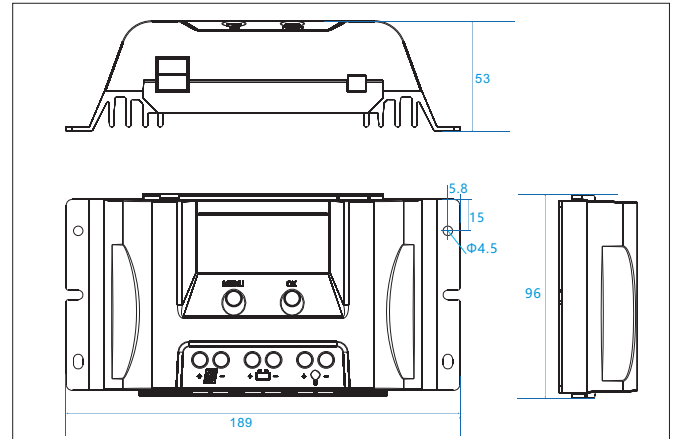


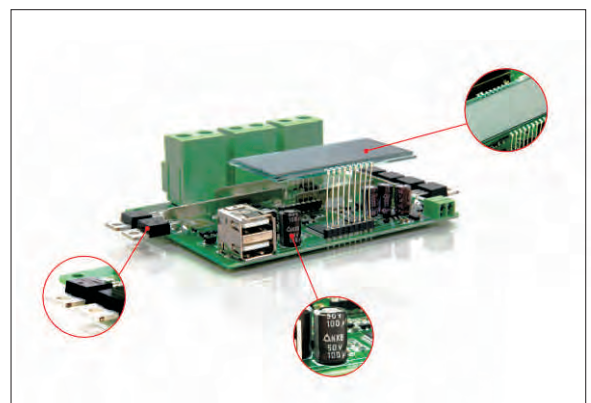
Max-EU series

Solar charge controller

20/30/40A



- LCD display design, read operating data and working condition easily.
- Real-time energy statistics function.
- 12V/24V automatic recognition
- AGM、 Liquid and GEL battery for selection.
- External temperature sensor, automatic temperature compensation.
- Built-in temperature sensor, when the temperature exceeds the set value, the charging current will lower down followed by the decrease of temperature, so as to control the controller's temperature rise.
- Four stages charge way: fast, boost, equal, float.
- Multiple load control modes: Standard, Dusk to Dawn, Timer and User-defined mode.
- Two USB ports.
- Perfect EMC & thermal design.
- Full automatic electronic protect function
- For the Lithium battery charging, can be programmable before shipping in the factory



Max-EU series

Solar charge controller

20/30/40A

Datasheet

Item	Max20-EU	Max30-EU	Max40-EU
System Voltage	12V/24V automatical recognition		
Max Charging Current	20A	30A	40A
Fast Voltage	<14.5/29.0V@25°C		
Boost Voltage	14.5/29.0V @25°C		
Equalization Voltage	14.8/29.6V @25°C (Liquid)		
Float Voltage	13.7/27.4V @25°C		
Low Volt. Disconnect	10.8~11.8V/21.6~23.6V, SOC1~5		
Reconnect Voltage	11.6~12.8V/23.2~25.6V		
Overcharge Protect	15.5/31.0V		
Max volt on Bat. terminal	35V		
Temp. Compensation	-4.17mV/K per cell (Boost, Equalization), -3.33mV/K per cell (Float)		
Battery Type	Liquid, Gel,AGM		
Max volt on PV terminal	55V		
Dusk/Dawn detect volt.	5.0/10.0V		
Output Current	20A	30A	40A
USB interface	5V, 2A		
Work mode	Standard(default), D2D, Street lamp, User-defined mode		
Dimensions	189 * 96 * 53mm		
Weight	420g		
Self consumption	5mA		
Ambient temperature	-20 ~ +50°C		
Storage temperature	-25 ~ +80°C		
Ambient humidity	0 ~ 100%RH		
Protection degree	IP32		
Max Altitude	4000m		

	Max20-EULi	Max30-EULi	Max40-EULi
Charging Voltage Target	10.0~32.0V(Programmable)		
Charging Voltage Recovery	9.2~31.8V (Programmable)		
Low Voltage Disconnect	9.0~30.0V (Programmable)		
Low Voltage Reconnect	9.6~31.0V (Programmable)		
Battery Type	Lithium		